

Vougeot

W 1000 x H 860 x D 650 mm CE

Standard finishes

Stainless steel, black enamel

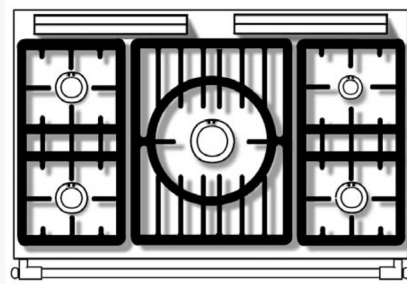
Knobs and rail ends: brass

Optional finishes

Colour enamel

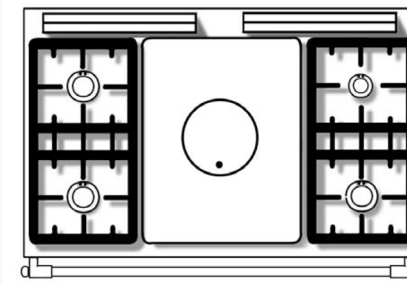
Knobs and rail ends: mat or gloss chrome, nickel

Plinth, ref: LRH 1002 **



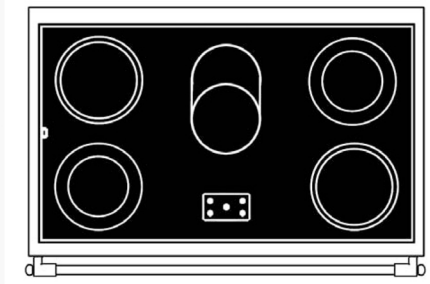
CLASSIC

- 1 x 5kW burner
- 2 x 3kW burner
- 1 x 1.5kW burner
- 1 x 4kW burner
- Electric ignition system and flame failure safety device on all gas burners.



TRADITION

- 1 simmer plate above 5kW burner
- 2 x 3kW burners
- 1 x 1.5kW burner
- 1 x 4kW burner
- Electric ignition system and flame failure safety device on all gas burners.



ELECTRIC VERSION

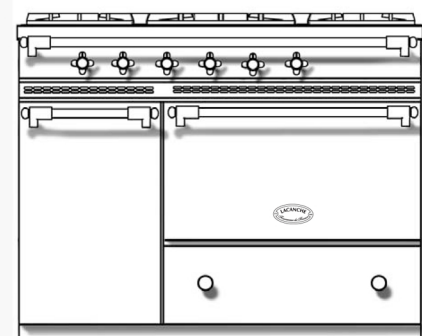
- Vitroceramic hobs
- 2 x 2100W hobs Ø 210mm
- 2 x 1000/2100W double hobs Ø 140/210mm
- 1 x 2200W oval hob 170 x 265mm

OVENS:	interior dimensions (mm)
Static oven:	W 530 x H 305 x D 455
Convection oven:	W 530 x H 305 x D 405

1 x 4kW gas oven
1 x 3.1kW static electric oven
1 x 3.4kW convection electric oven and grill

Optional:

Warming cabinet (details on p23)



volnay

Reference
LG 1051 G
LG 1051 E
LG 1051 CT
ETL 001

Reference
LCF 1051 G
LCF 1051 E
LCF 1051 CT
ETL 001

Reference
LVTR 1051 E (1)
LVTR 1051 CT (1)
ETL 001

** Stainless steel plinth: increases height to 900 mm.

(1) Electric installation: 400V 3N + T-50Hz only.

www.Lacanchestoves.co.nz

For more information on this product contact us on (09) 4241693

Email: opuslibero@slingshot.co.nz